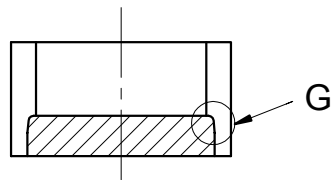
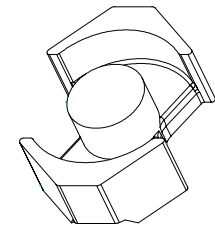
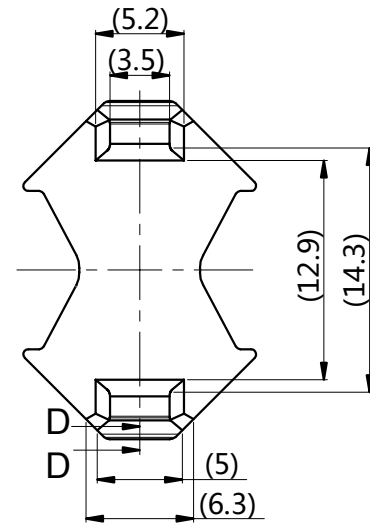
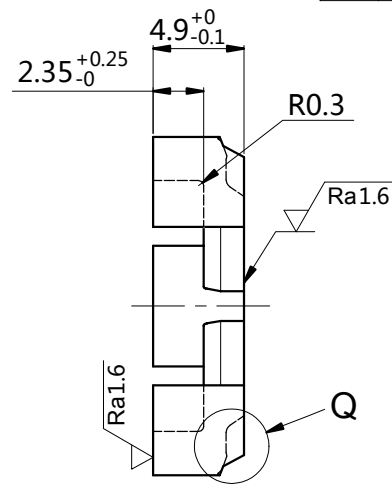
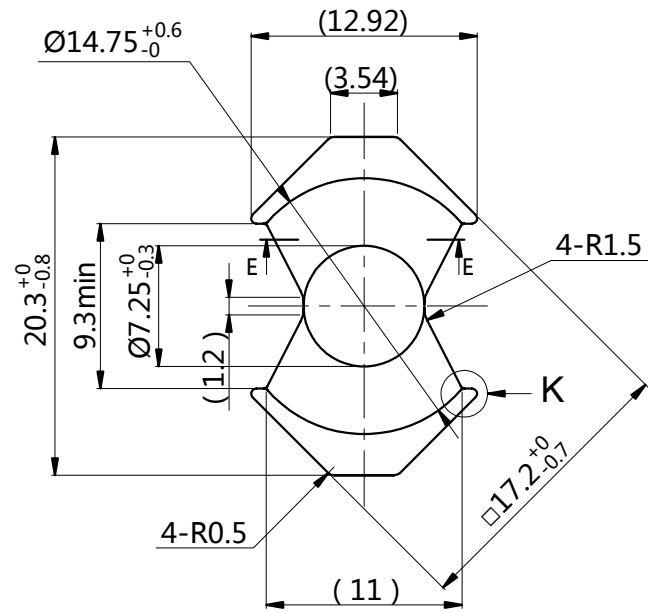
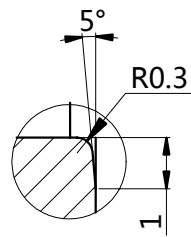


REVISION HISTORY

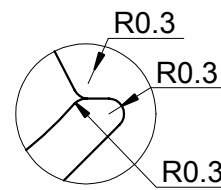
Rev	DESCRIPTION	DATE	APPROVED



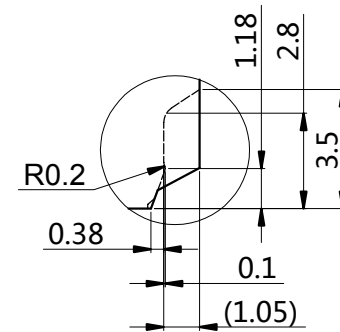
Section E-E



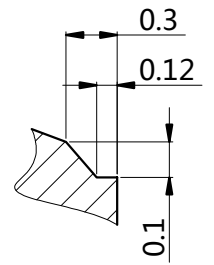
Detail G



Detail K



Detail Q



Section D-D

	Scale	Material	Customer Part number	
	2.5 : 1		Product Name	
Unit:	Standard tolerances	RM-7S-9.8		
mm	±0.1	Approved by	Created by	Document type
Y.Higuchi	Z.zhang	Production drawing	Rev	Drawing No.
Hitachi Metals (Hong kong) Ltd. Panyu Factory		Date of issue	00	PY170630M02
			Jun 30 2017	Sheet 1/1